

SECTION 3D

SECTIONPLANE 3D

LIVESECTION Live Section

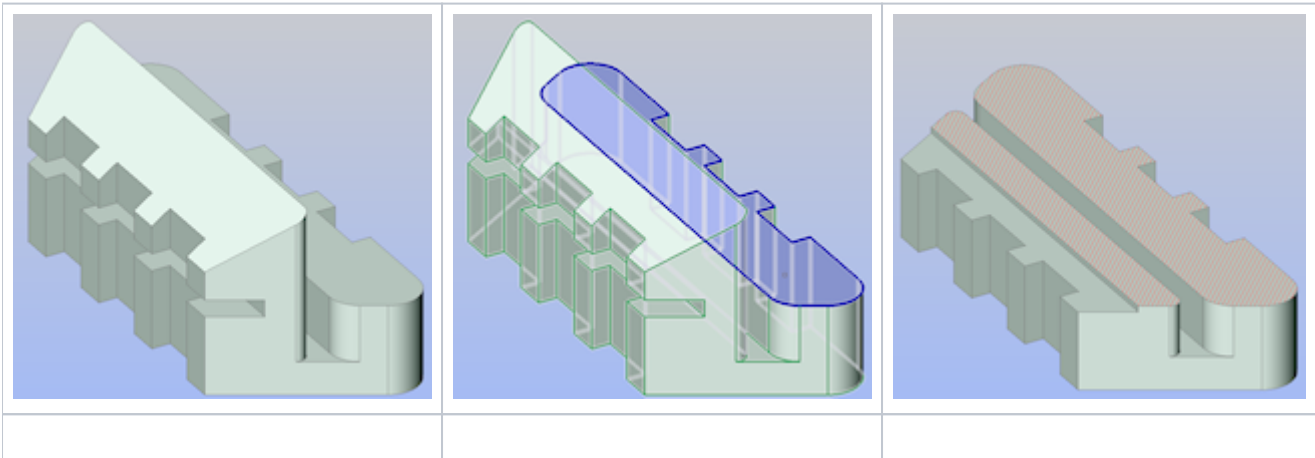
SECTIONPLANESETTINGS " - "

SECTIONPLANETOBLOCK 2D / 3D

BIM

- **BIMSECTIONBIM**
- **BIMIFYBIM**

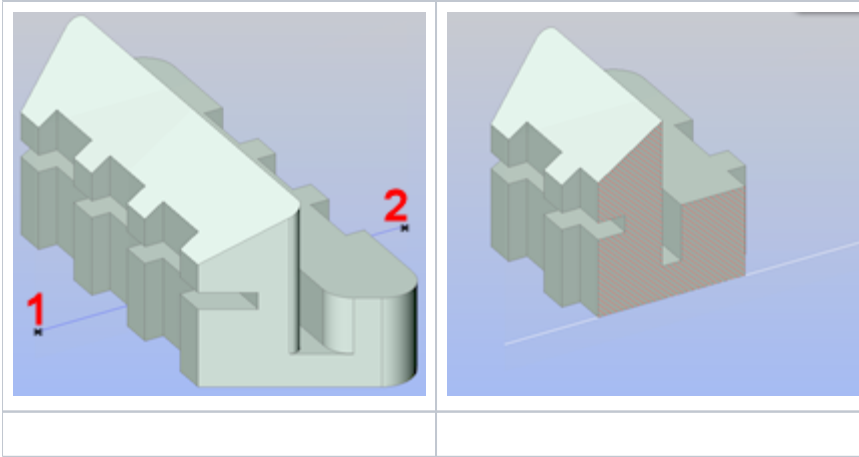
1. **SECTIONPLANE**
- 2.
- 3.



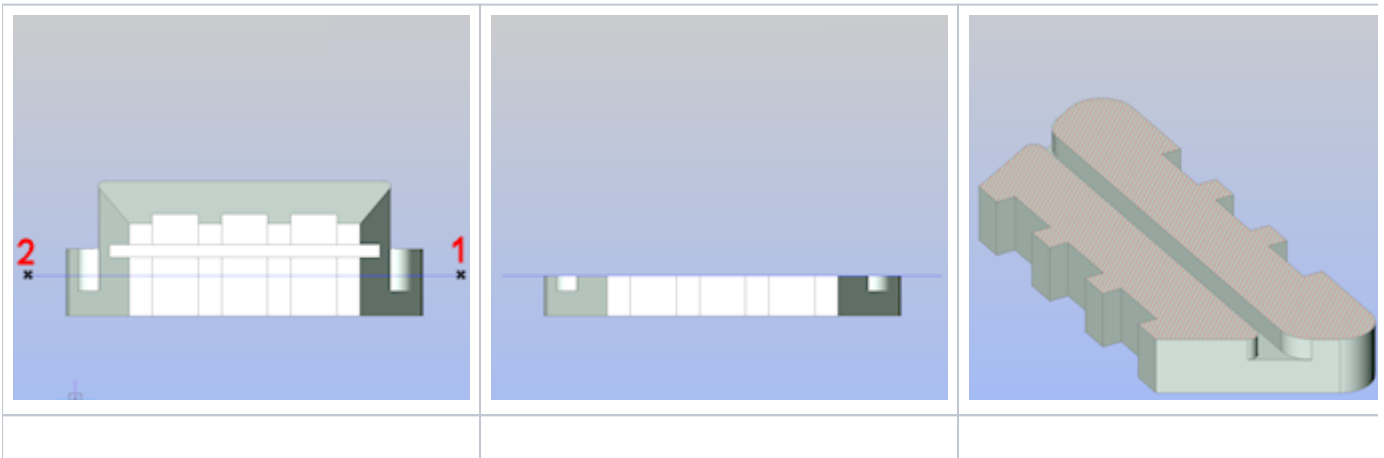
4.

WCS

1. **SECTIONPLANE**
- 2.

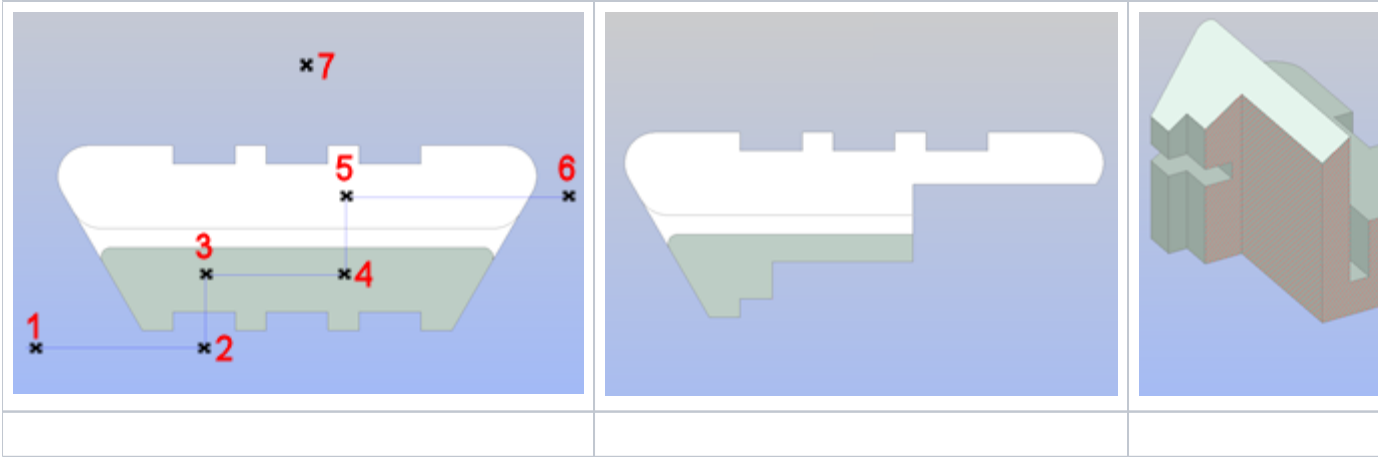


1. "LookFrom"TM
 2. UCS TM UCS
- UCSORTHO = ON NAVVCUBEORIENT = 0 UCS
3. **SECTIONPLANE**
 - 4.
 5. XY
 - 6.
 - 7.

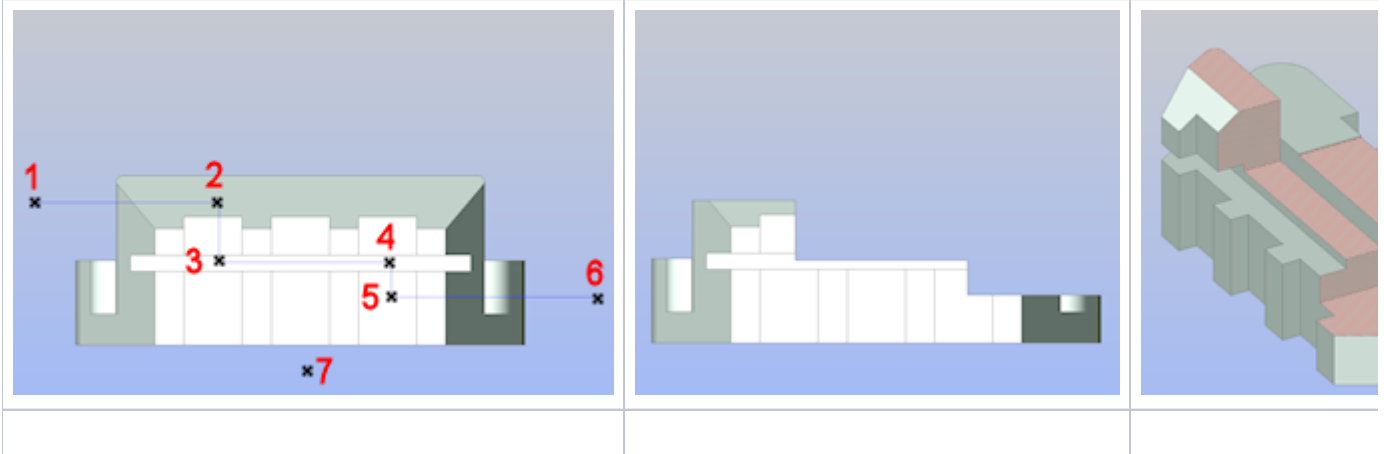


WCS

1. **SECTIONPLANE**
- 2.
3. 1
4. 2
5. 3 - 6 Enter
6. 7



1. "LookFrom"TM
2. UCS "" UCS
 - UCSORTHO = ON NAVVCUBEORIENT = 0 UCS
3. SECTIONPLANE
- 4.
5. 1
6. 2
7. 3 - 6 Enter
8. 7

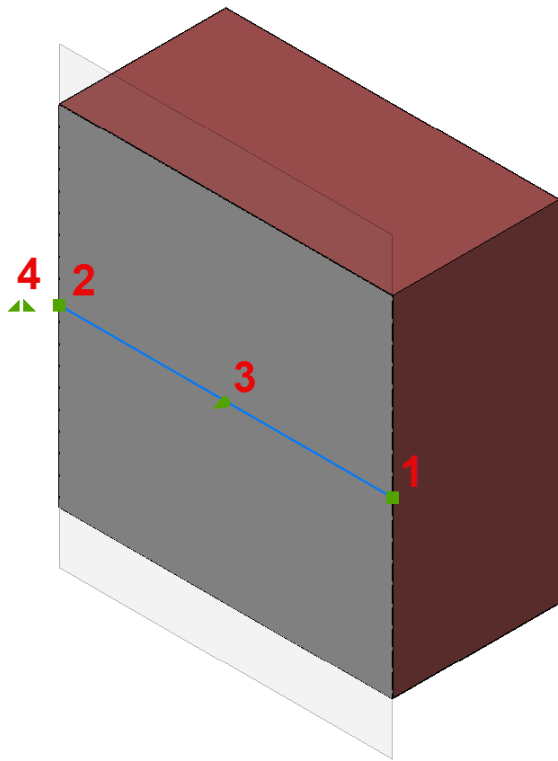






WCS

1. SECTIONPLANE
- 2.
3.
 - XY YZ XZ

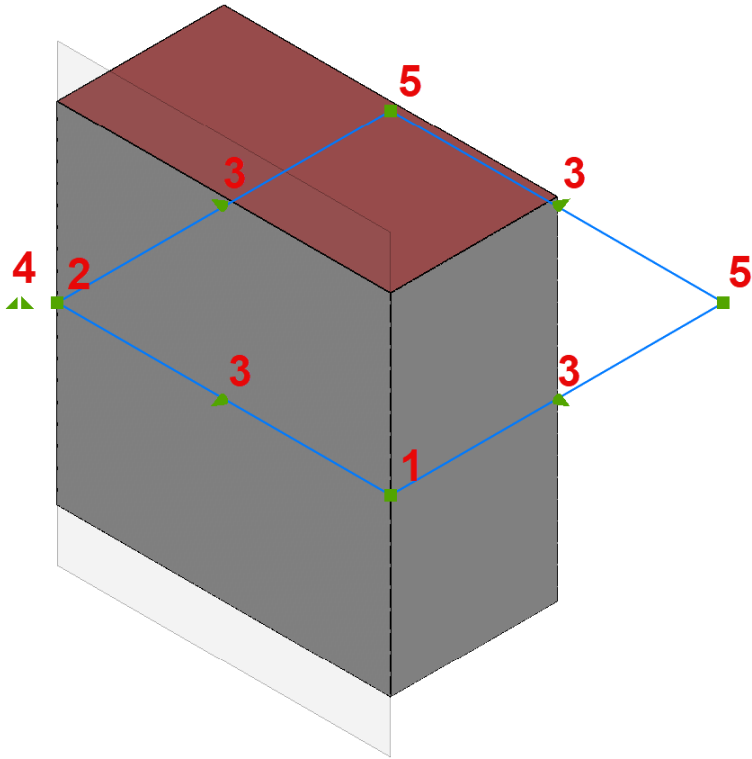
- 1.






- 2.
- 3. TypePlane



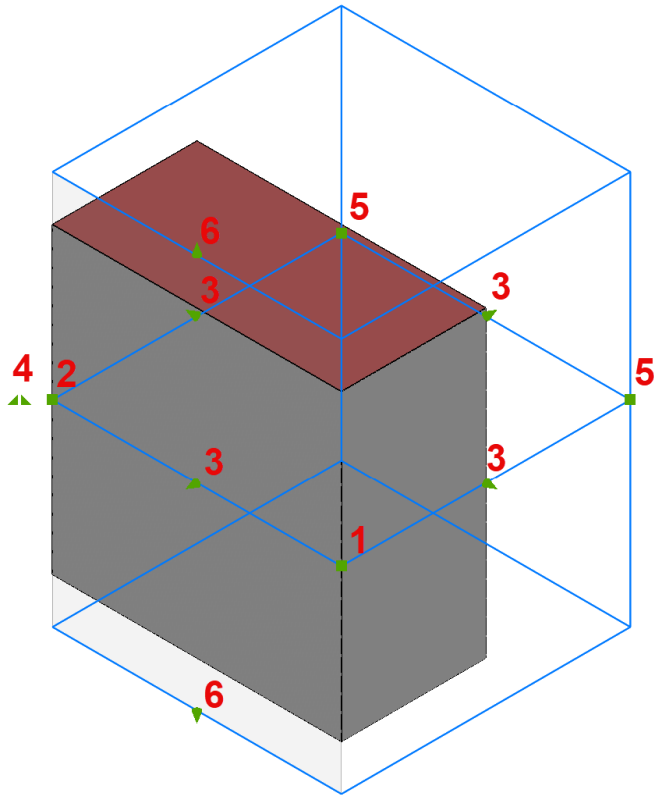
- 1  = XY
- 2  =
- 1
- 3  =
- 4 

4.



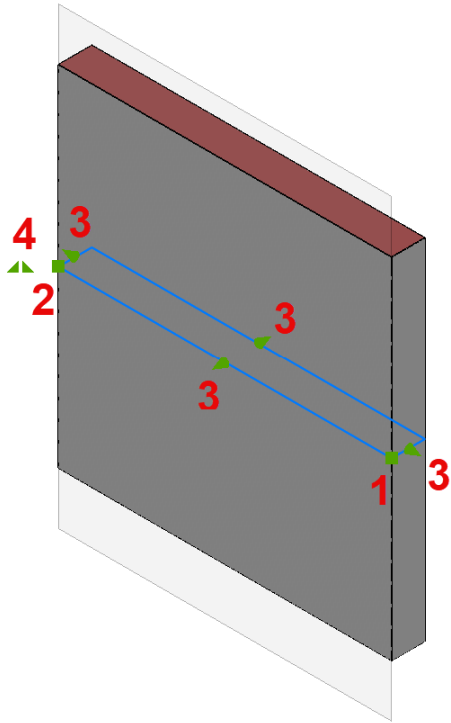
- 1  = XY
- 2  =
- 1
- 3 
- 4 
- 5 





5.



- 1 = XY
- 2 =
- 1
- 3
- 4
- 5
- 6
- 6

6.



- 1  = XY
- 2  =
- 1
- 3  =
- 4 

SECTIONPLANETOBLOCK

- /
-
-