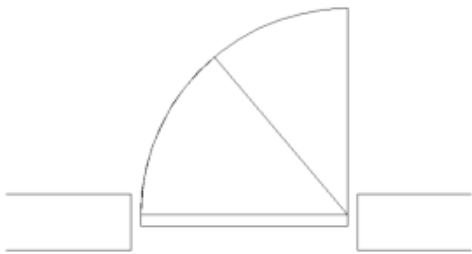


THCAD®

INSERT

1177



2D > VISIBILITYSTATESPANELOPEN

1177

- 
- 
- 
- 

1.

2. <sup>1177</sup>



3. +

4.



a.



b. >




c. >



d. <sup>1177</sup>

e. Shift<sup>1177</sup>

f. > 

Visibility States 

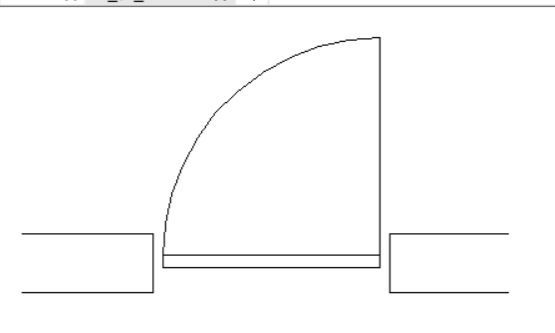
Angle (4 Entities)

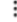
Open >

HalfOpen >

Closed >

+ Add state



Visibility States 

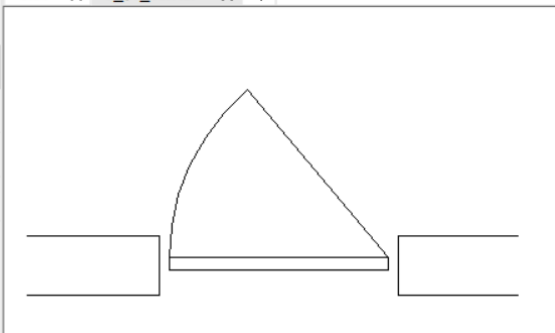
Angle (4 Entities)

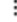
Open >

HalfOpen >

Closed >

+ Add state



Visibility States 

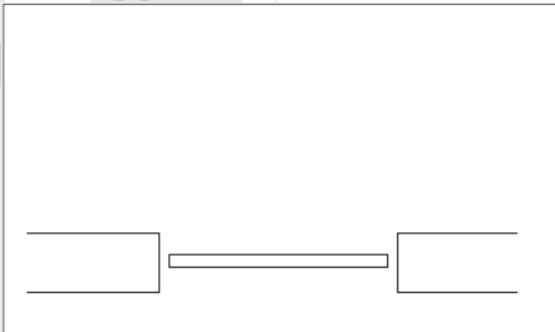
Angle (4 Entities)

Open >

HalfOpen >

Closed >

+ Add state



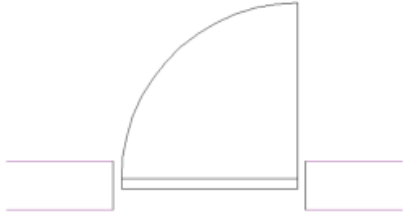
- 5.
- 6.
- 7.



REFERENCE\_CURVES

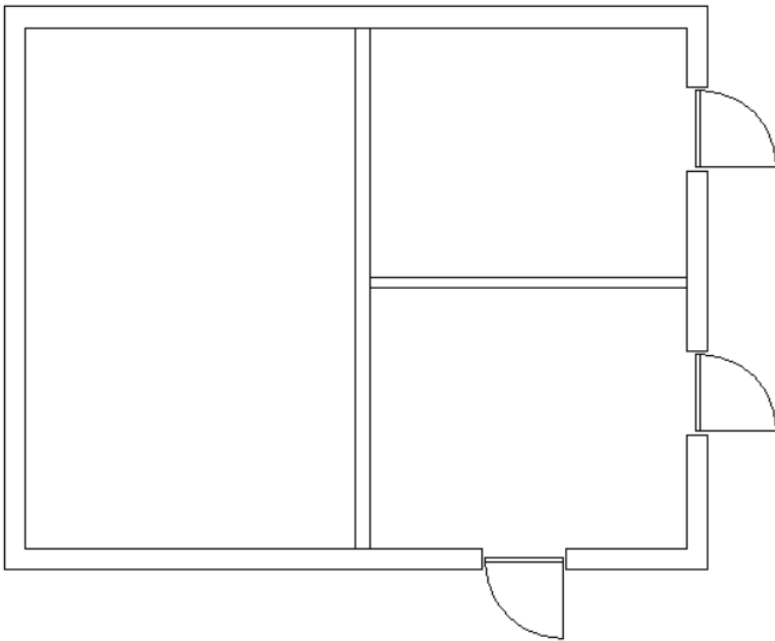
REFERENCECURVES

- 1.
- 2. REFERENCECURVES
- 3. REFERENCE\_CURVES
- 4.

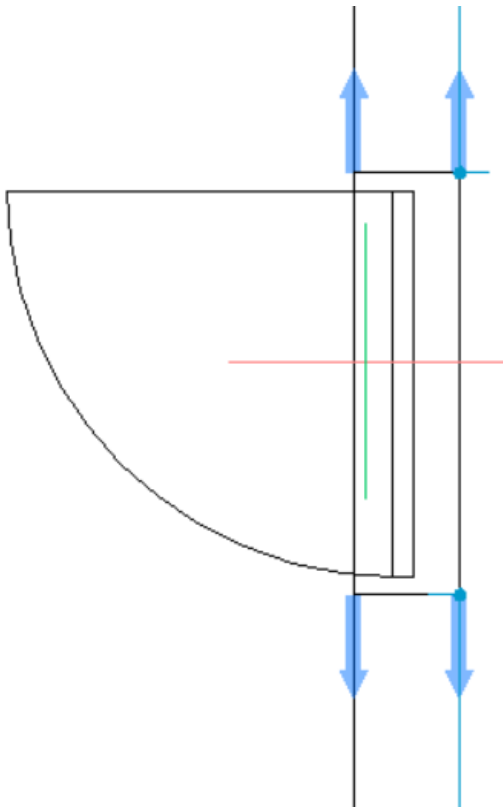


300 300

5.



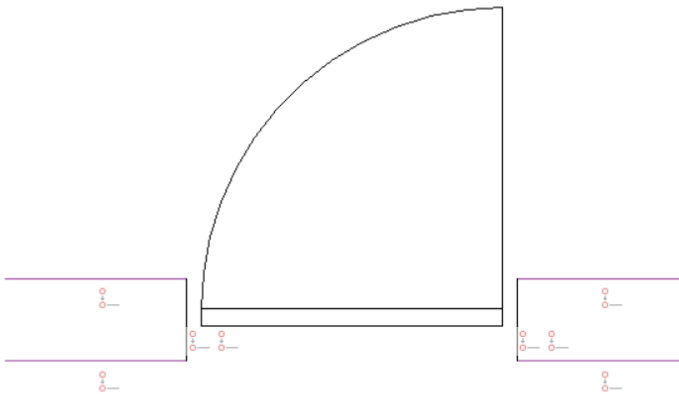
INSERT<sup>TM</sup>



300

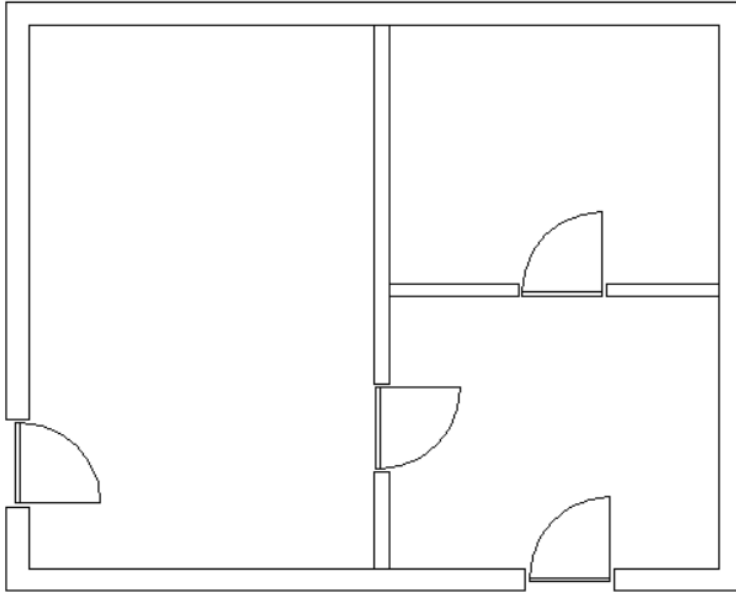
/

- 1.
2. REFERENCECURVES
- 3.
- 4.



5.

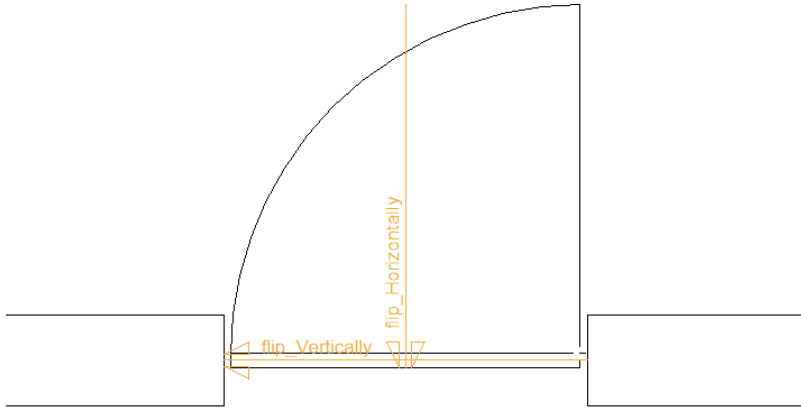
6.



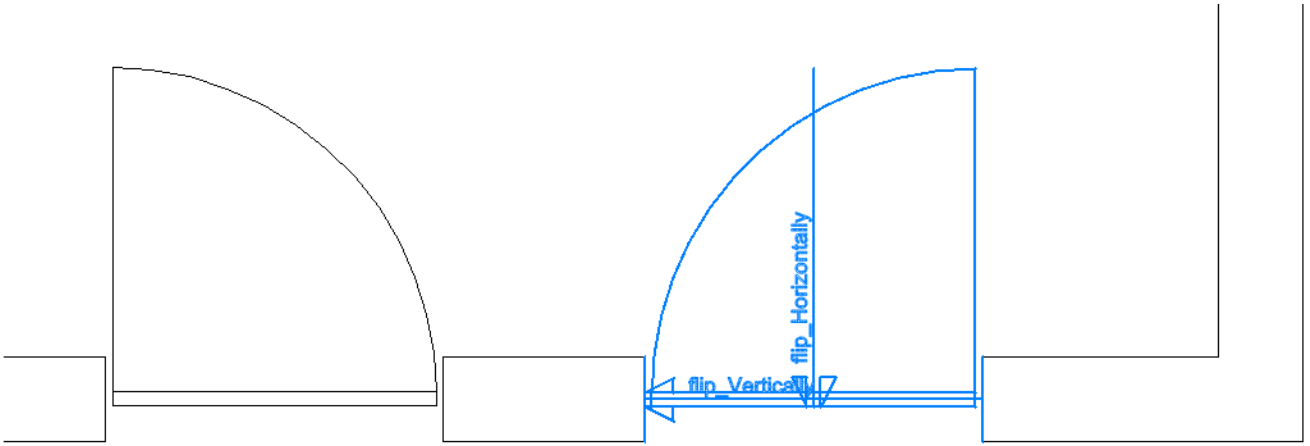
2D<sup>me</sup> FLIPLINE

**FLIPLINE**

- 1.
2. FLIPLINE
3. <sup>me</sup>
- 4.
- 5.



- 6.
- 7.



8. POPERATIONSCOLOR

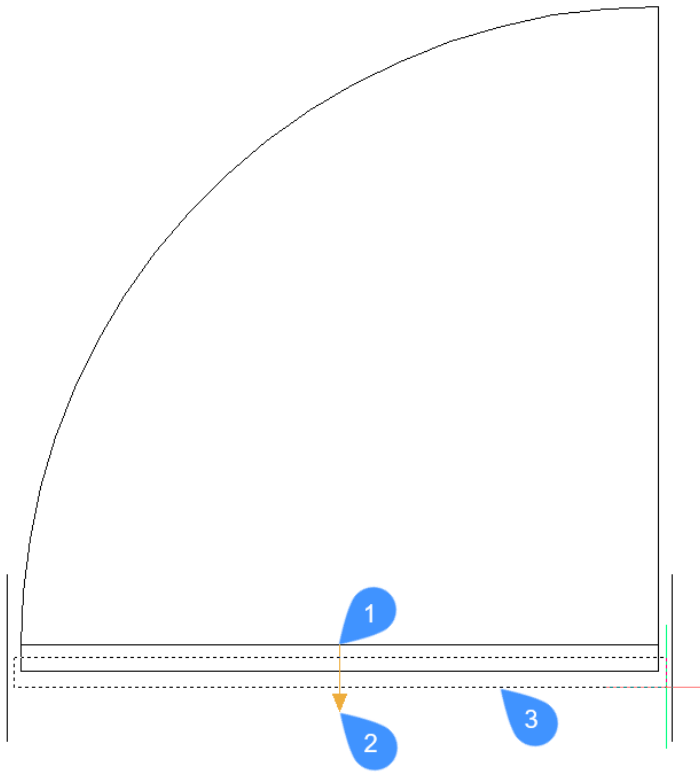
- PBLOCKOPERATIONSDISPLAY /
- PBLOCKREFERENCEOPERATIONSVISUALIZATION

stretchSTRETCH

**PARAMETRICSTRETCH**

- 1.
2. PARAMETRICSTRETCH2D
3. 12

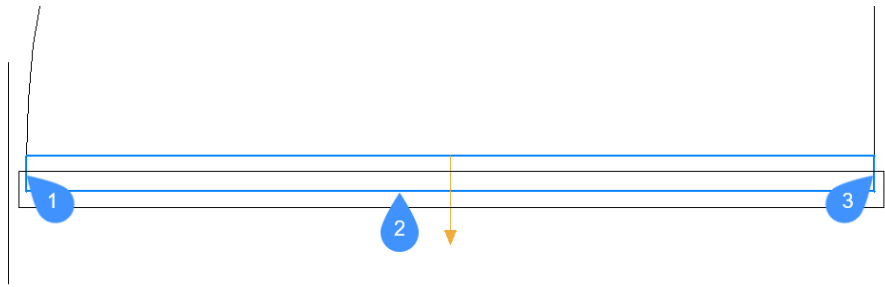
- a.
- b. /
- c.



4.

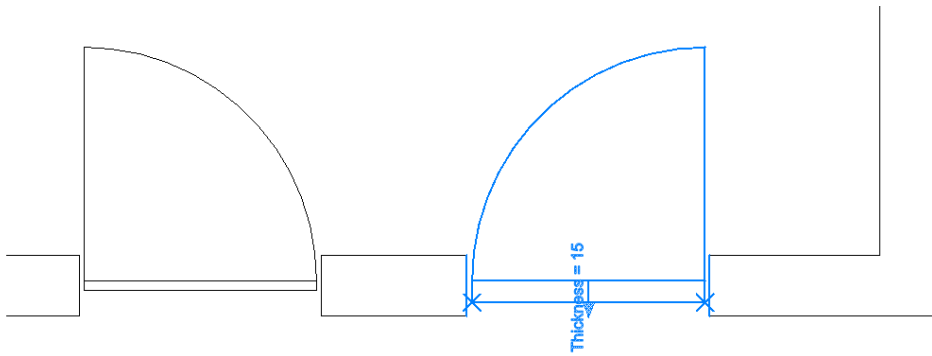
3  
5.

123



6. <sup>100</sup>  
7.  
8.  
9.

60150

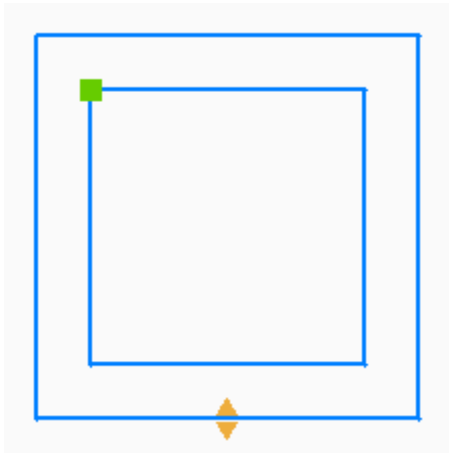


10. PBLOCKOPERATIONSDISPLAY

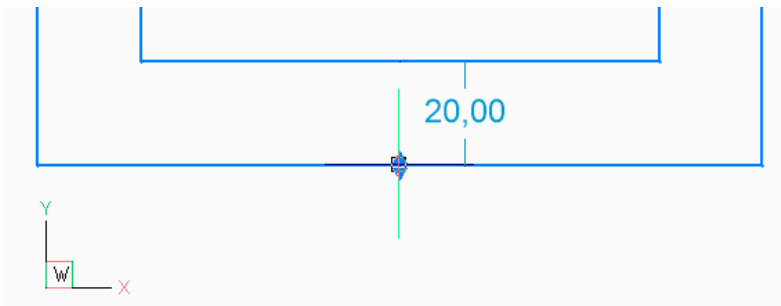
"X"

- 
- 
- 
- 
- 

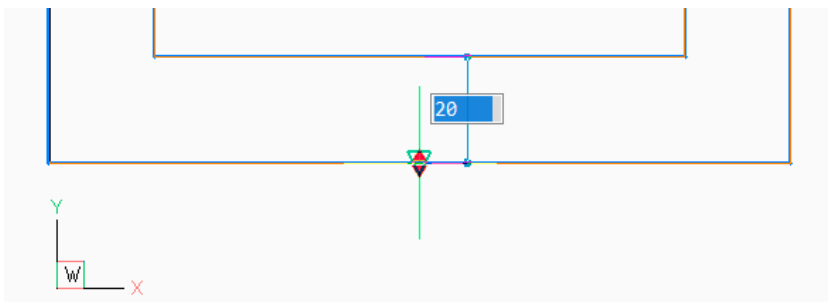
1.



2.



3.



4.

5.