

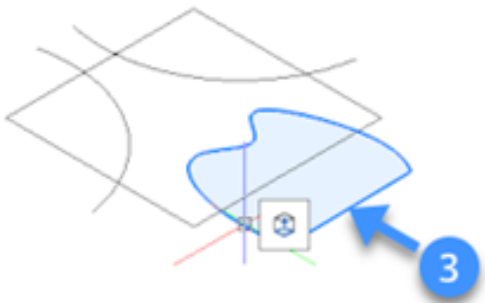
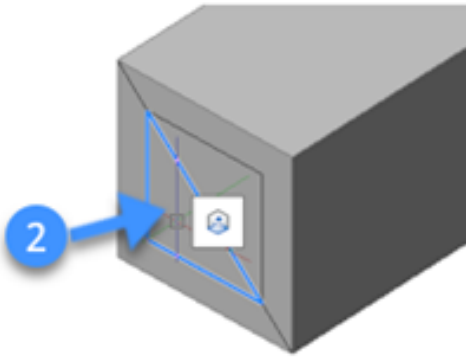
EXTRUDE

EXTRUDE 2D 3D 3D EXTRUDE

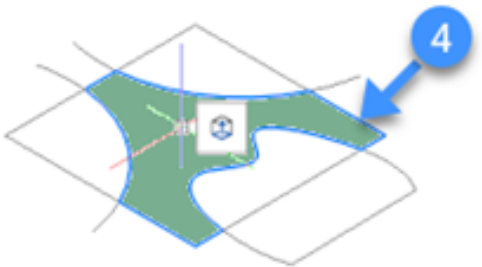
EXTRUDE

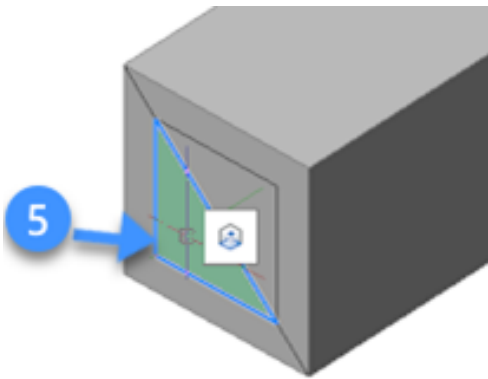
/

1 2 3



XY 4 5





EXTRUDE

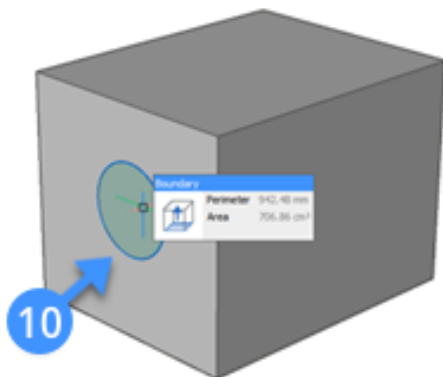
- 1.
2. QUAD⁰⁰⁰⁰⁰⁰
3. [/////////] <123.45>
- 4.

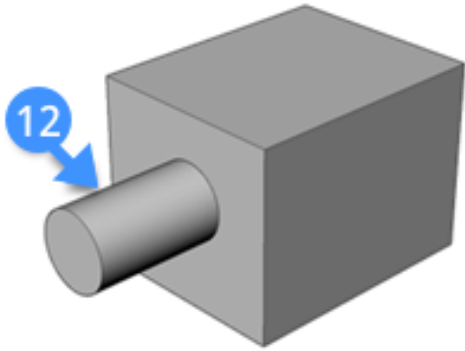
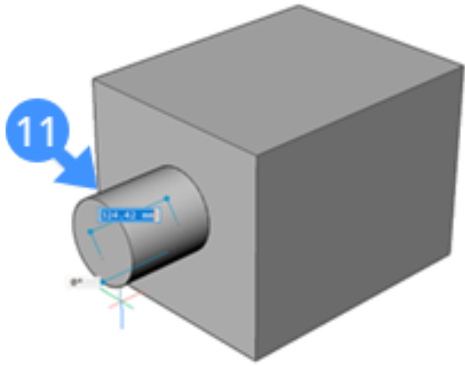


- 6 3D EXTRUDEOUTSIDEEXTRUDEINSIDE INTERSECTEDENTITIES

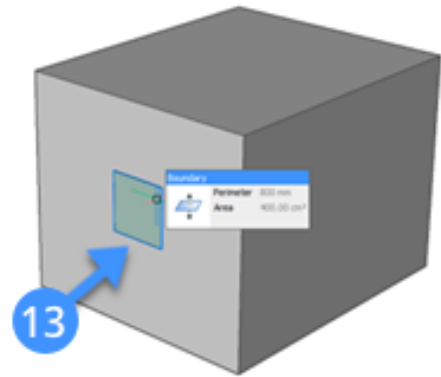
0= 1 2

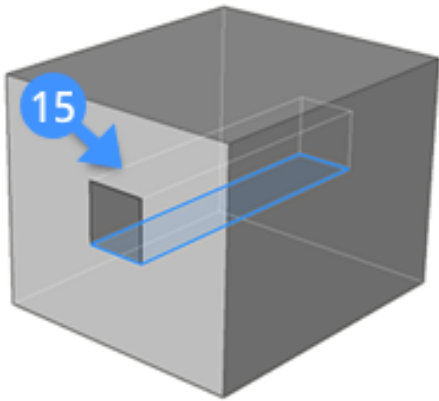
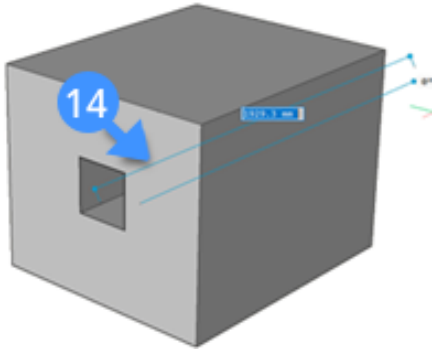
- 0
- 1 BIM



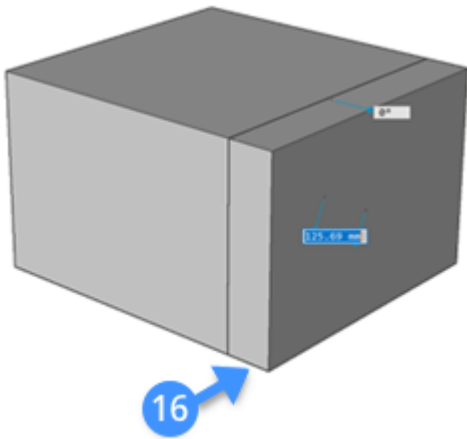


- "BIM" = 1 13 14 15

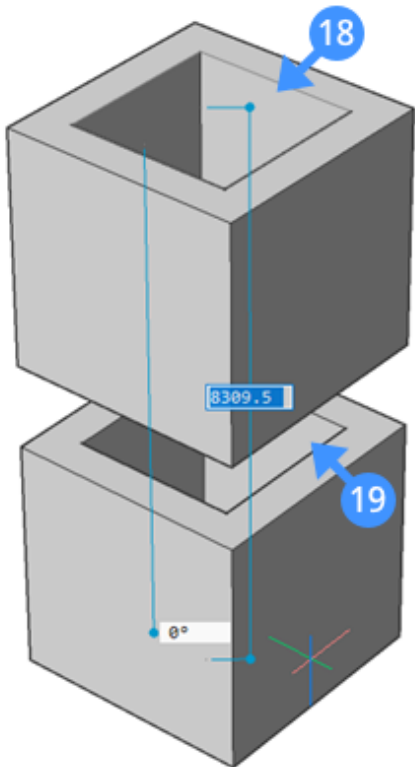
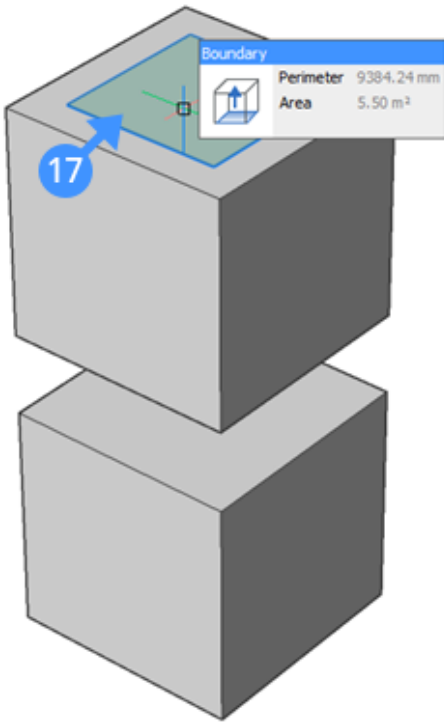




- 7 16

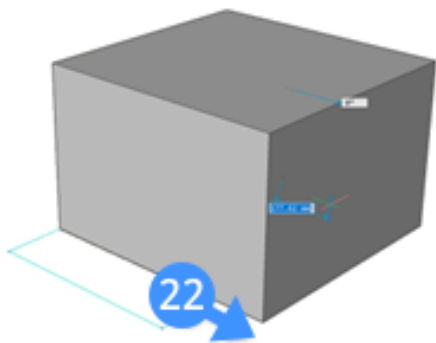
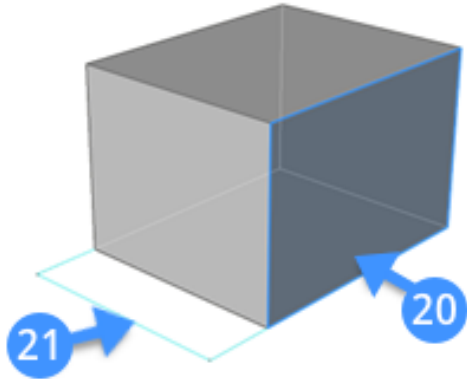


- 8 3D
17 18,19

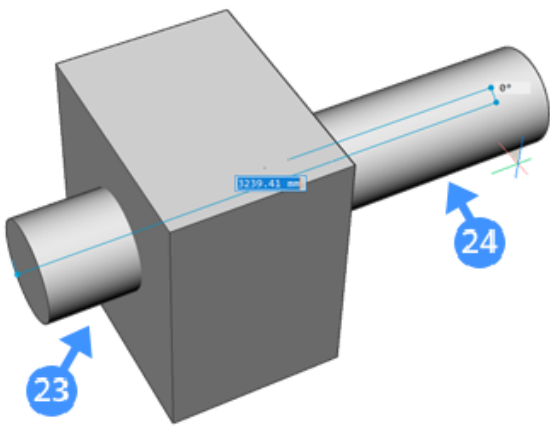


• 9

20 21 22



- 2324



B EXTRUDE Both sides

-
-
-
- Enter

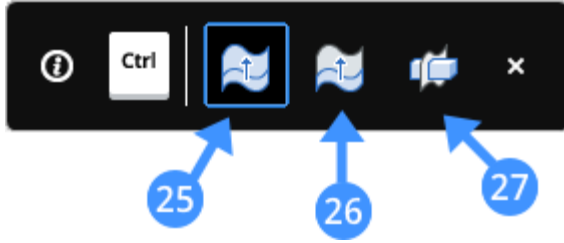
EXTRUDE 2D 3D



EXTRUDE

EXTRUDE3D

- 1.
2. ^{123.45}
3. [////////] <123.45>
- 4.



- 25 UNITESURFACES UNITESURFACES ON UNITESURFACES OFF /

- 0
- 1 BIM
- 26
- 27 SLICE

5.

6. Enter

28 29

