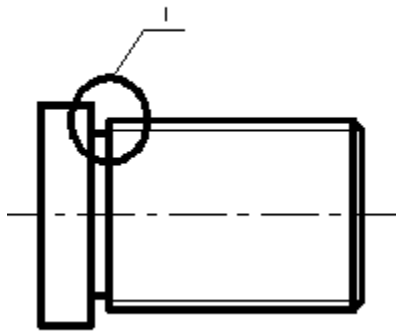


4-6B4-6A



4-6A



4-6B

4-7



4-7

:
2



- 1.
- 2.
- 3



1:1.55:1

= / 5:1 / 1:1.5 = 7.5