

THCAD BIM3D

- 
- 
- 

THCAD

Quad

“>” “>” “>”



“”

>>>

选取模式	0x0006 (6)
1	<input type="checkbox"/> 选取边
2	<input checked="" type="checkbox"/> 选取面
4	<input checked="" type="checkbox"/> 选取检测的边界
8	<input type="checkbox"/> 选择顶点

SELECTIONMODES

- 3D 3D3D3D
- 3D 3D3D
- XY3D3D
- “” bimSidesBimEnds

“ BIM/”

3D

= 63D3D

- SELECTIONMODES  
231



•

45



- SELECTIONMODES
- CTRL

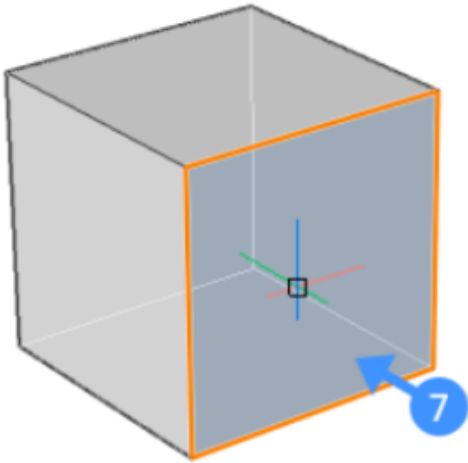
BimSides / Ends“ Display Sides and Ends”

Display Sides and Ends6BIM>

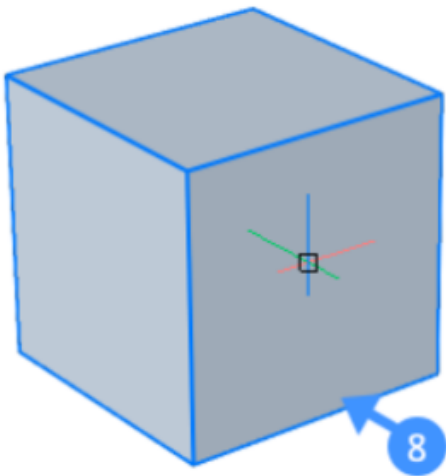


107517517

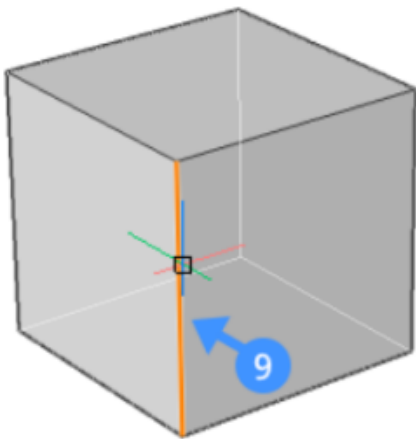
- 7



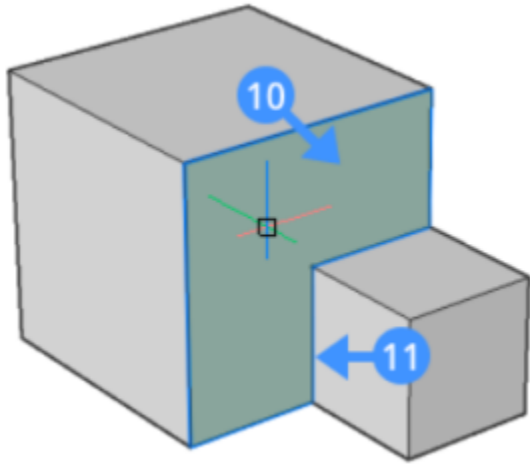
- CTRL8



- CTRL9



- 3D  
1011



BOUNDARYCOLOR= 95

1. SelectionModesSelect Faces

Selection Modes



2.

Tab

3.

4.

=

5. Tab

BimUpdateThickness

1. SELECTIONMODESSelect Faces

Selection Modes




2.

Tab

3. 单击

4. Enter

5. Tab

SelectAlignedFacesQuad> Select 

1. SELECTIONMODESSelect Faces

Selection Modes



2.

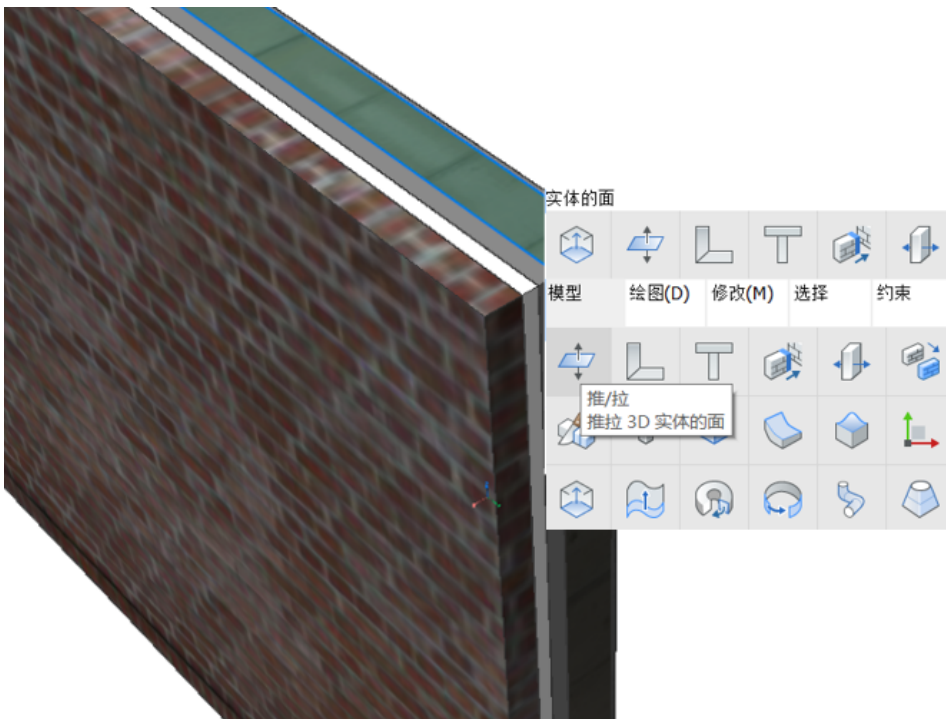
Tab

3. 单击

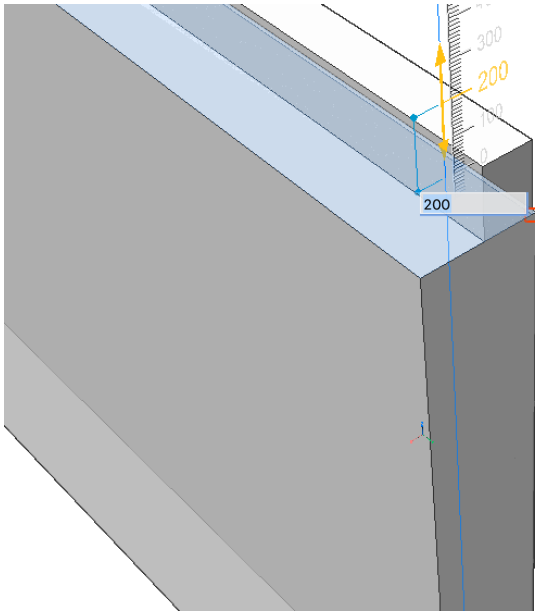
4.

SELECTIONMODES

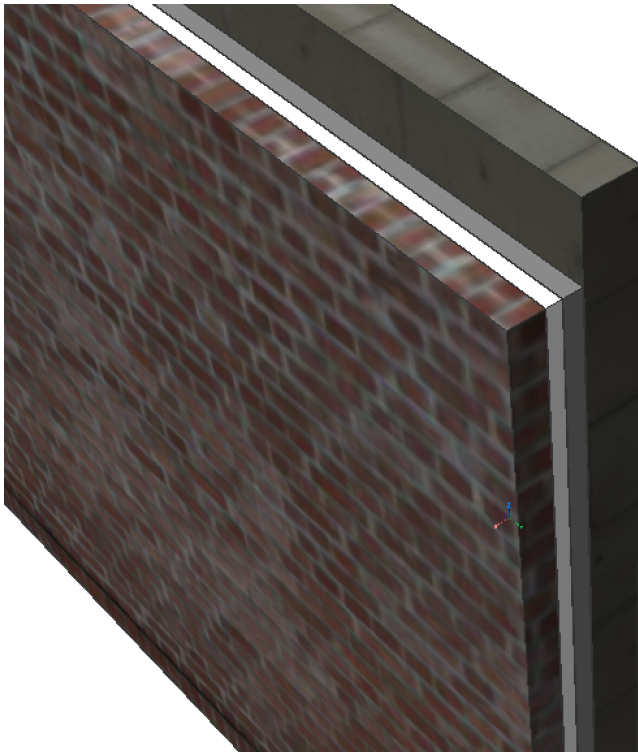
1. 单击



2.



3. Enter



TAB

107510751075

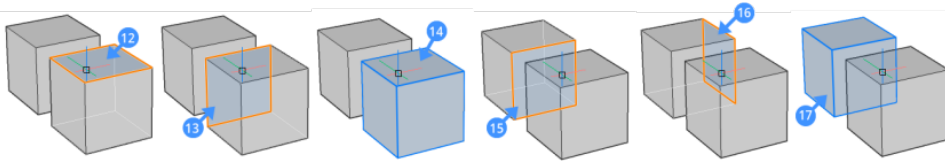
1.

12

1. Tab  
13

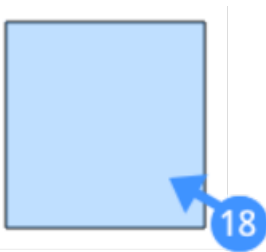
1. TAB14151617

1.

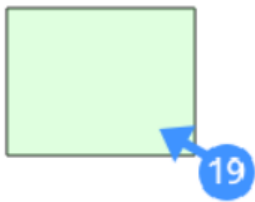


THCAD

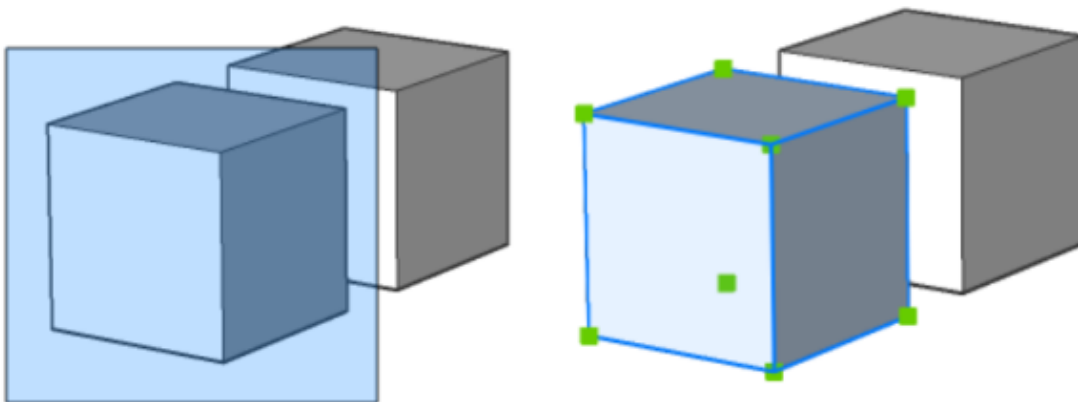
18



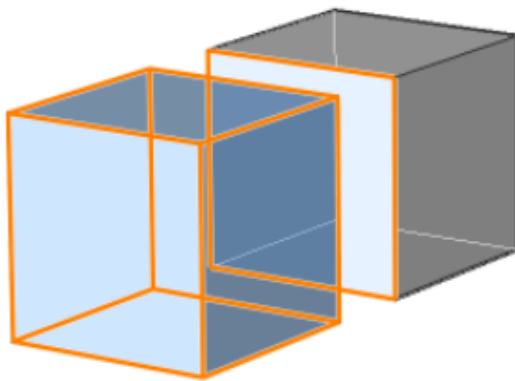
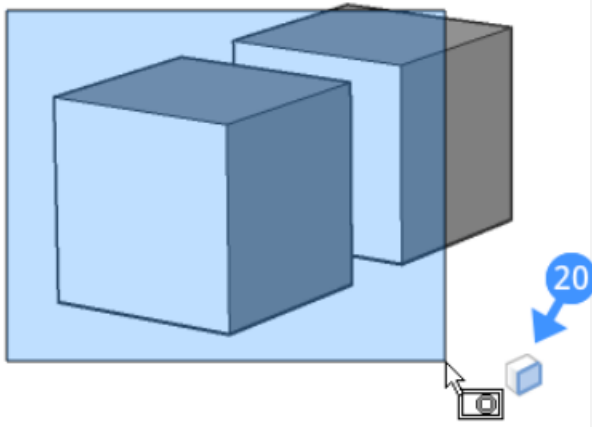
19



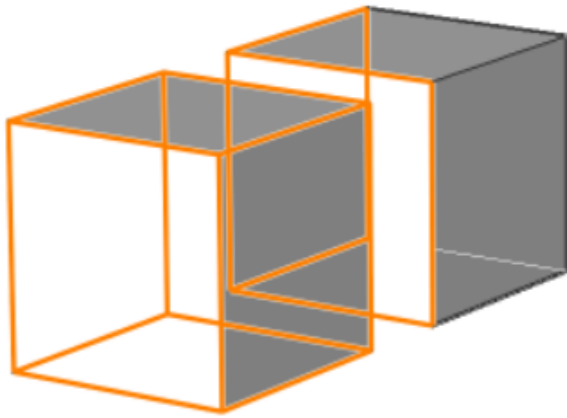
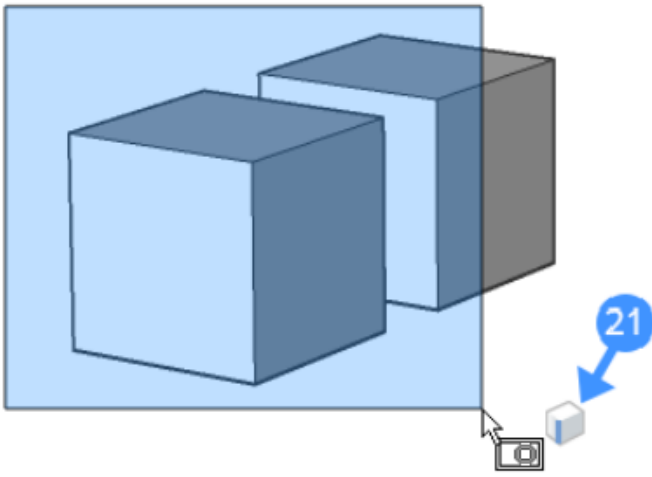
1.



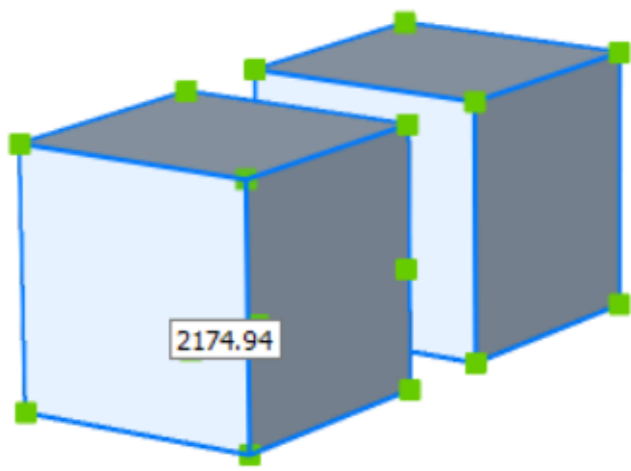
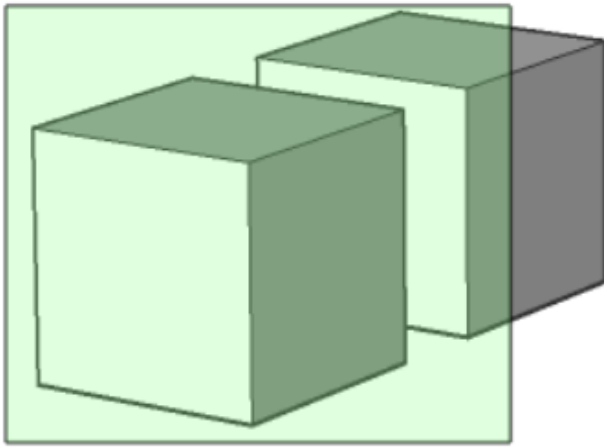
1. 3DCTRL20



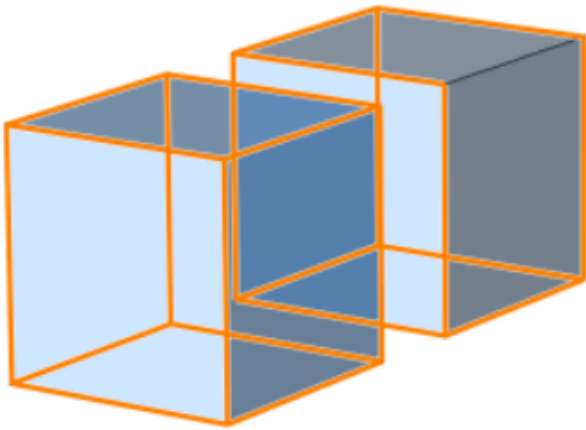
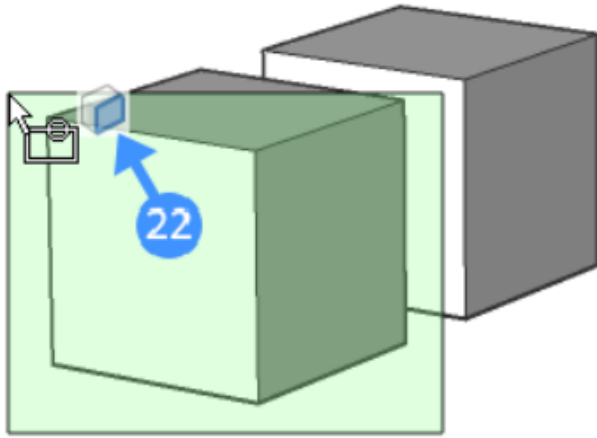
1. 3DCTRL21



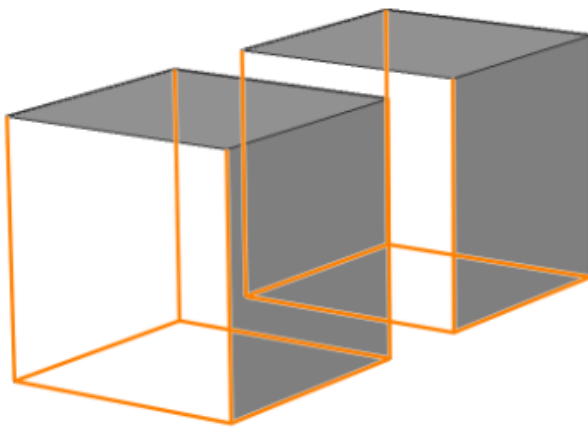
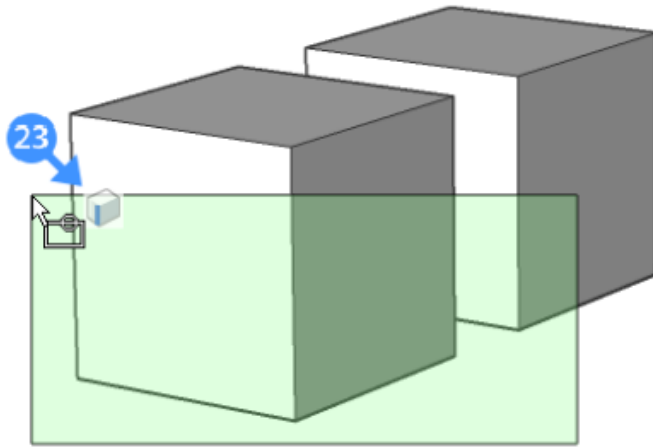
1.



1. 3DCTRL<sup>™</sup>22



1. 3DCTRL<sup>™</sup>23



## /BIM

1. BIM<sup>™</sup>



2. "Bim"

