

# THCADAutodesk®Revit®

ImportBmInsert

THCAD BIMAutodesk®Revit®

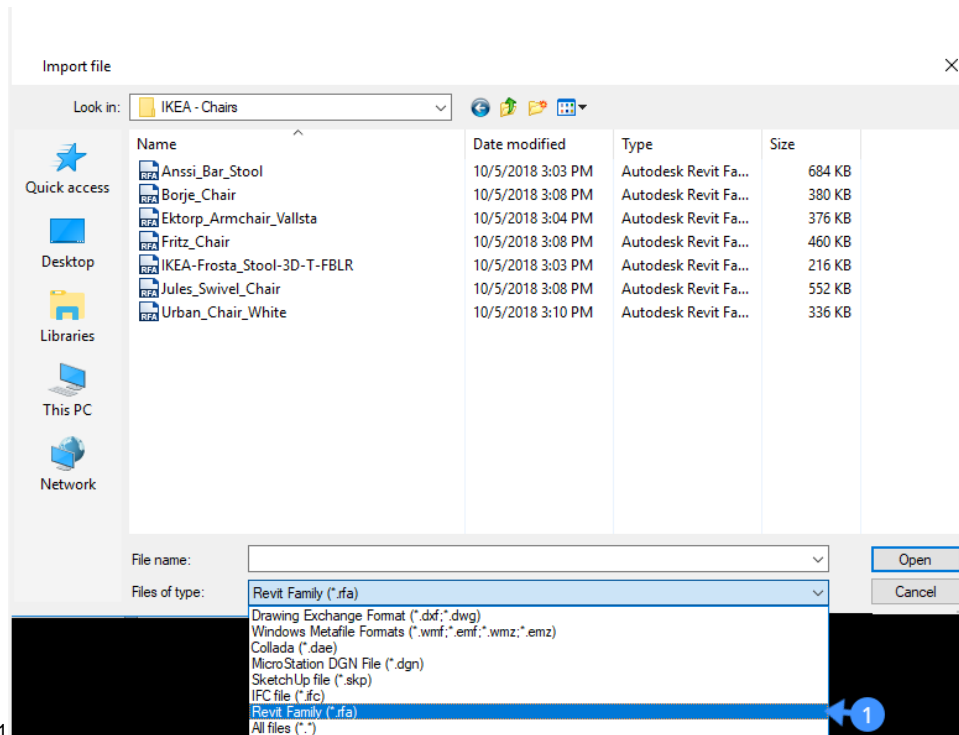
“Revit”Autodesk®Revit®

- Revit RFATHCAD
- BmInsertRFABIM
- ”RFA

RFABmInsert

## RFA

1.



1. “”Revit Family\*.rfa1

1. .rfa
2. ””Revit

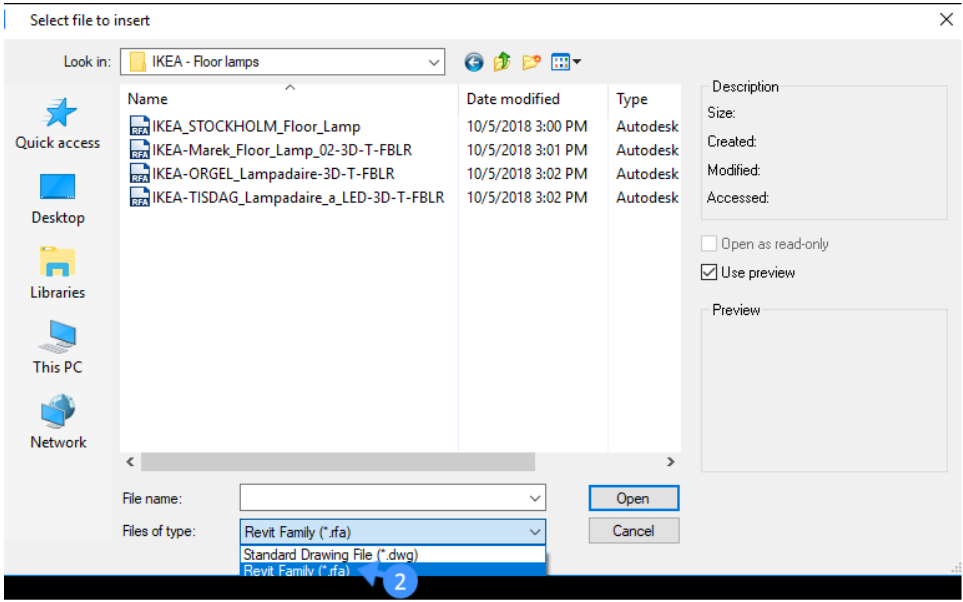
RFA3DTHCAD

## RFA

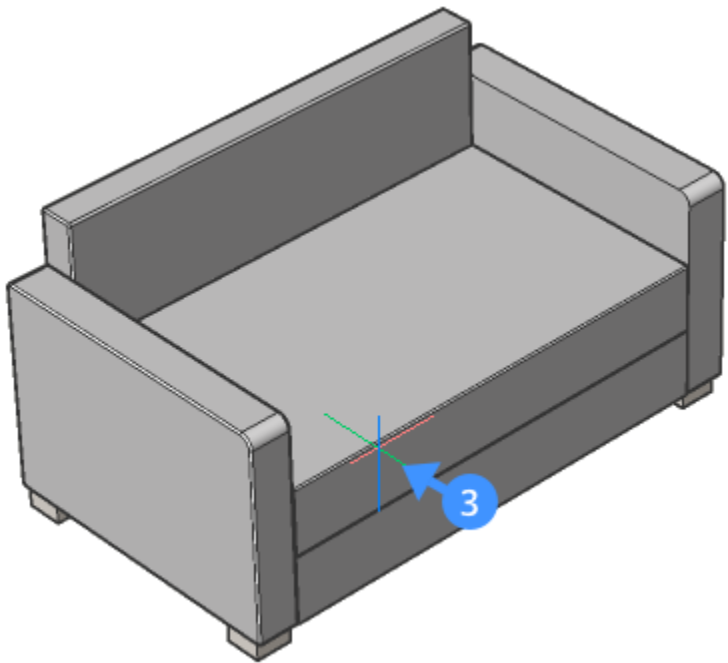
- DUCS = ONUCSRFA3D
- DYN = ON3D

## BmInsert

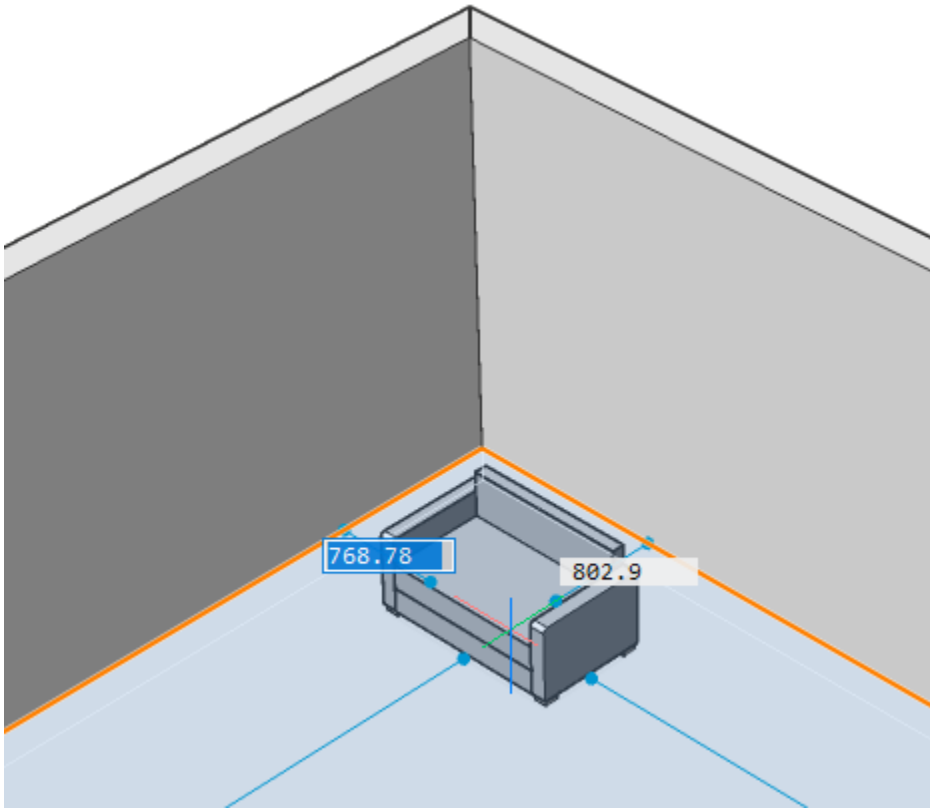
1. BMINSERT
2. .rfa
3. ""Revit Family\*.rfa2



4. .rfa
- 3



DYNDUCSRevit



- 1. RFA
  - TabTab
  - Tab
  - Enter

“”

- 1. RFA<sup>001</sup>RFA<sup>001001001</sup>  
gifRFA

RFA<sup>001001</sup>

- 1. RFA<sup>001</sup>

ImportBmInsert

THCAD BIMAutodesk@Revit®

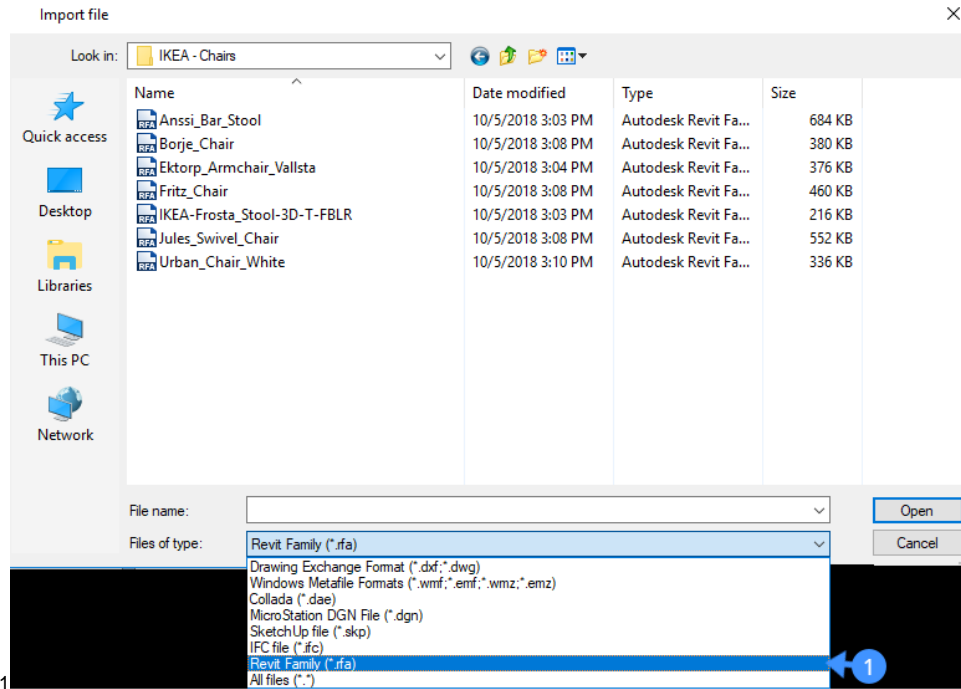
“ Revit”Autodesk@Revit®

- Revit RFATHCAD
- BmInsertRFABIM
- <sup>001</sup>RFA

RFABmInsert

## RFA

1.



1. ""Revit Family\*rfa1

1. .rfa

2. ""Revit

RFA3DTHCAD

## RFA

- DUCS = ONUCSRFA3D
- DYN = ON3D

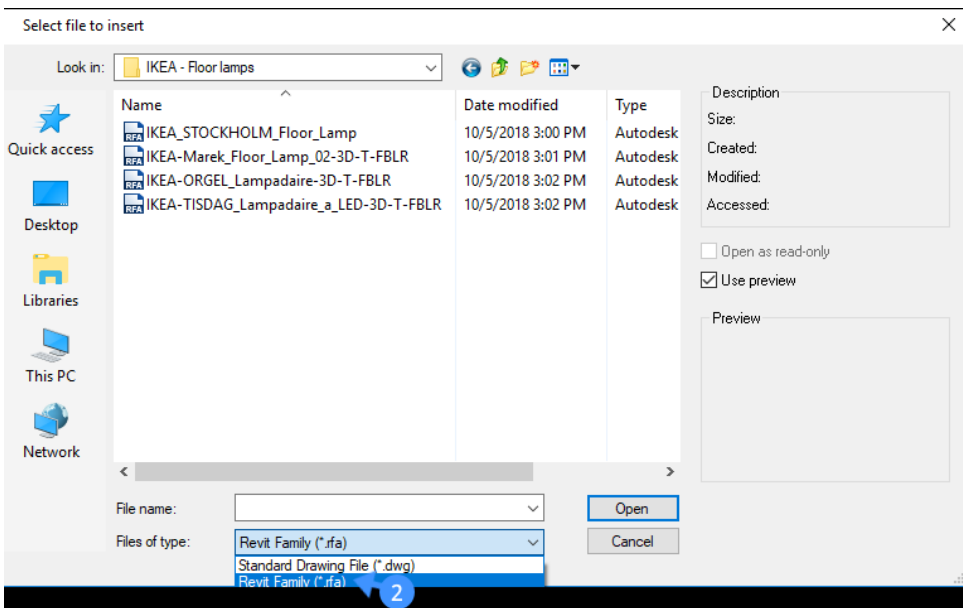
## BmInsert

1. BMINSERT

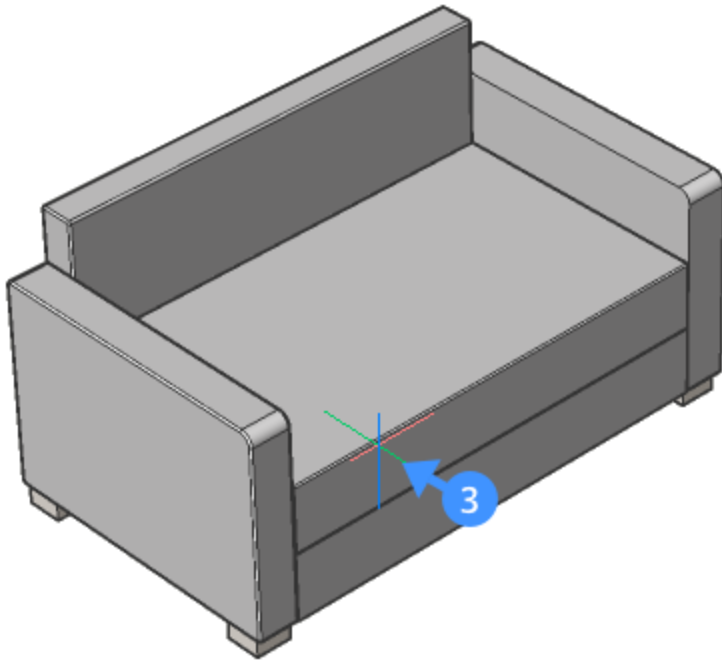
""

2. .rfa

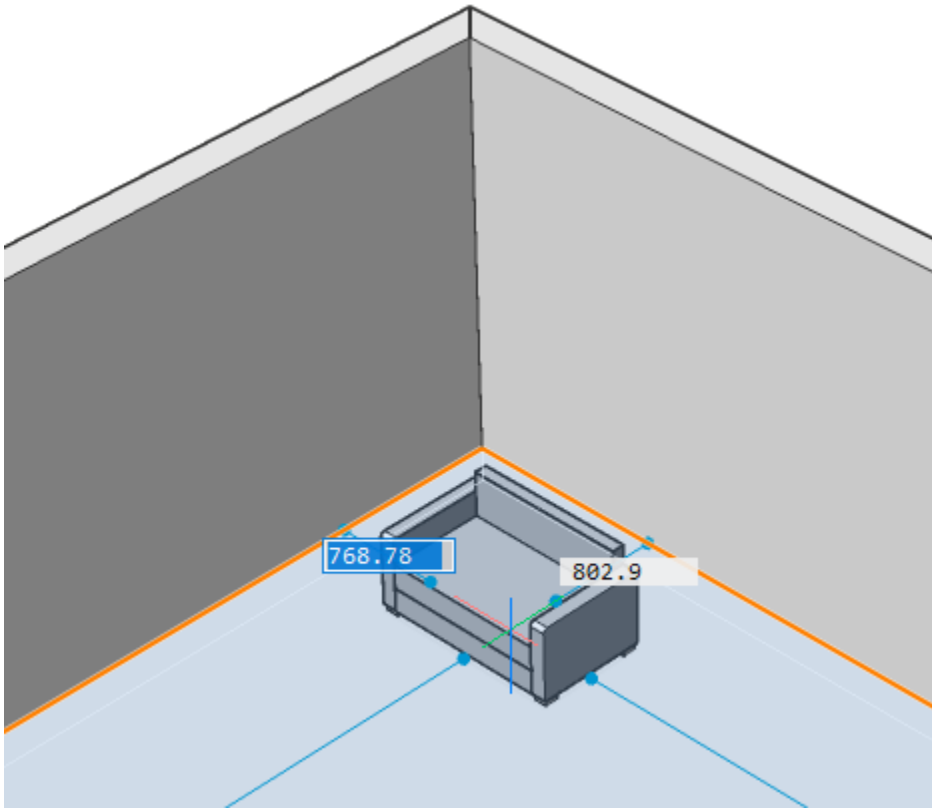
3. ""Revit Familiy\*rfa2



4. .rfa  
3



DYNDUCSRevit



1. RFA
  - TabTab
  - Tab
  - Enter

“”

1. RFA<sup>(01)</sup>RFA<sup>(01)</sup>  
gifRFA

RFA<sup>(01)</sup>

1. RFA<sup>(01)</sup>